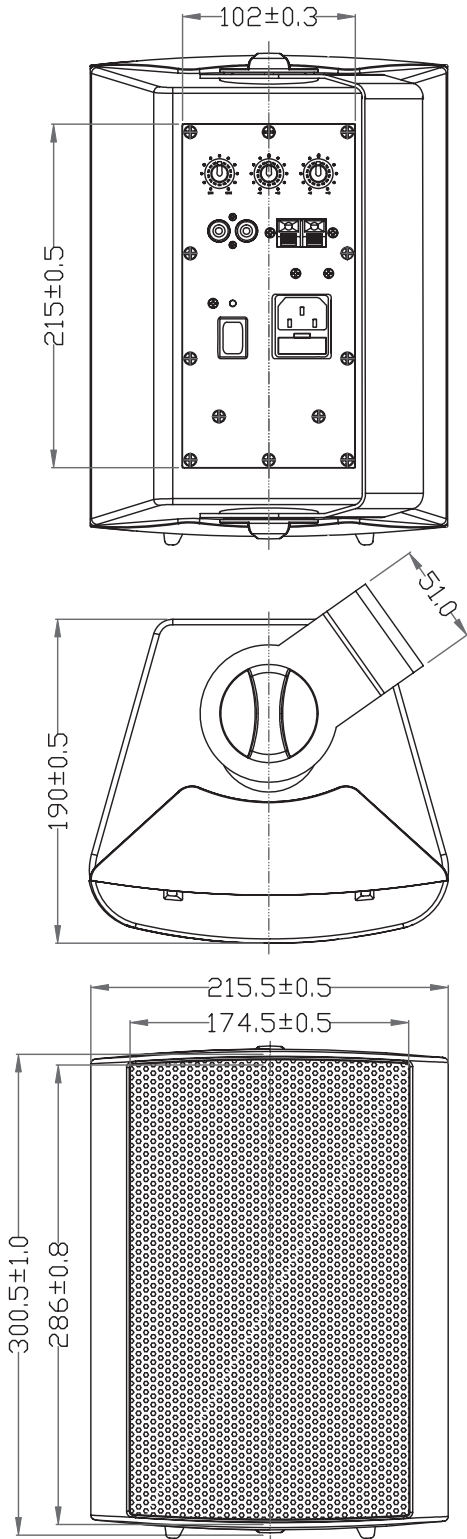


ST50P Specification Sheet

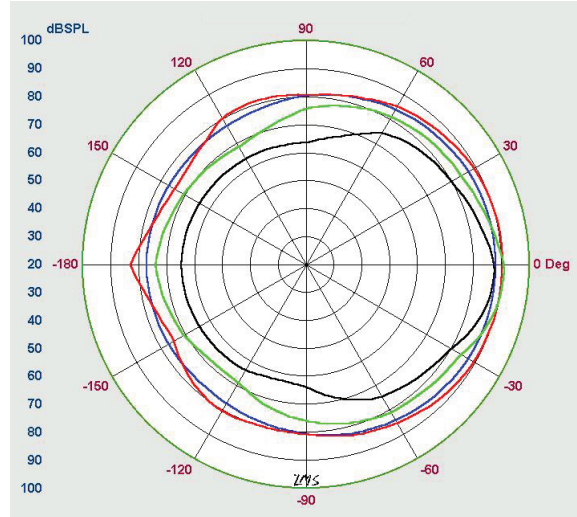


ST50P Powered speaker, 2x50 watts. 1 x active and 1 x passive speaker supplied with brackets and available in black or white.

Dimensions (mm)

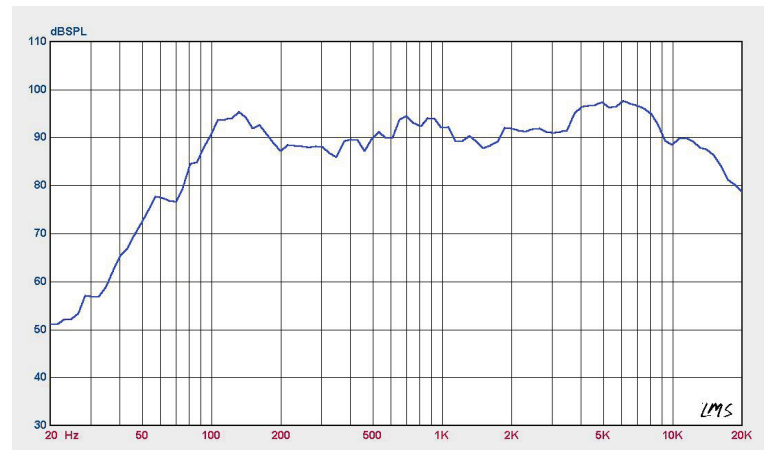


Polar Plots – SPL vs Angle



Curve	Freq	BW	Q	DI
—	600.00	153	2.4	3.7
—	1.00K	131	2.7	4.4
—	4.00K	51	7.1	8.5
—	10.00K	44	8.2	9.2

Frequency Response Curve – SPL vs Frequency



Specifications

Power 2x50 Watts RMS
 Frequency Response 45Hz to 20kHz
 Input Sensitivity 300mV
 NET Weight (one each active + passive) / 8.9Kgs per pair

ENGINEERED BY AUSTRALIAN MONITOR. DISTRIBUTED BY HILLS SVL
 ABN 78 001 345 482 Address: 1 Clyde Street, Silverwater, Sydney NSW 2128 Australia

Website: www.australianmonitor.com.au International enquiries email: international@australianmonitor.com.au

NSW Phone: (02) 9647 1411 Email: nsw@hillssvl.com.au

ACT Phone: (02) 6260 4544

Email: act@hillssvl.com.au

VIC Phone: (03) 9890 7477

Email: vic@hillssvl.com.au

QLD Phone: (07) 3852 1312 Email: qld@hillssvl.com.au

WA Phone: (08) 9204 0200

Email: wa@hillssvl.com.au

SA Phone: (08) 8352 4444

Email: sa@hillssvl.com.au

NZ Phone: (09) 415 9426

Email: sales@hillssvl.co.nz

